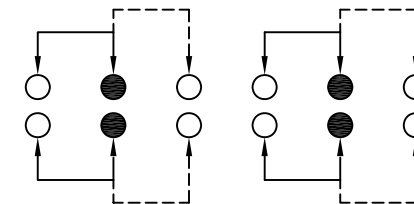
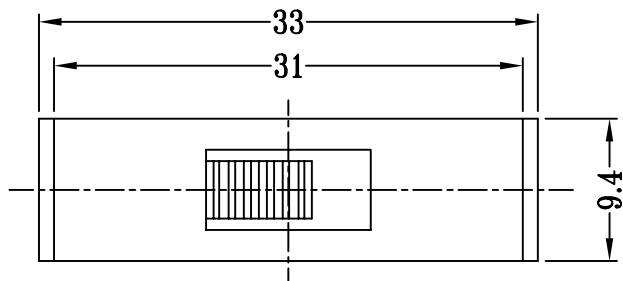
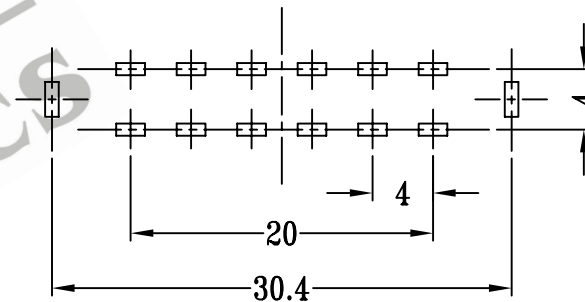
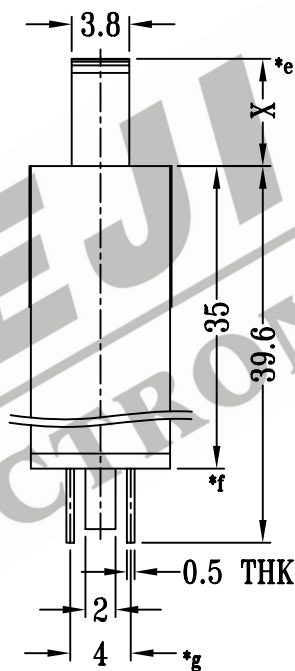
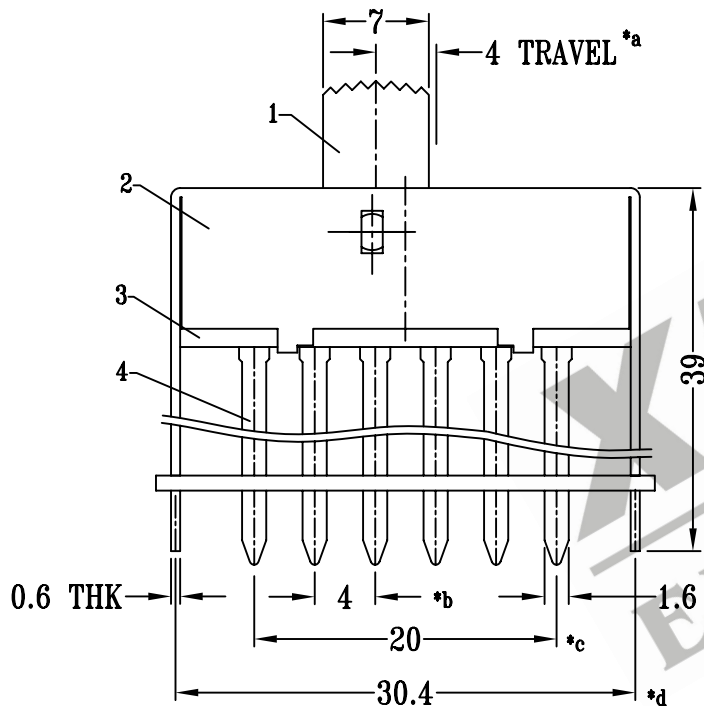


CAD FILE:



SCHEMATIC (SHORTING)



P.C.B LAYOUT

注:带"*"表示关键尺寸(7个)

8	STEEL BALL	STEEL	2	NATURAL	TOLERANCE UNLESS SPECIFIED	SHENZHEN XIEJIA ELECTRONICS CO.,LTD.				
7	SPRING	STEEL WIRE	1	TEMPER						
6	CONTACT CLIP	PBS STRIP	4	Ag PLATED	WITHIN: 1.5±0.1mm	ISSUE	DATE	DESCRIPTIONS		APPD.
5	BASE	PHENOLIC RESIN	1	NATURAL	OVER : 1.5±0.2mm					
4	TERMINAL	BRASS STRIP	12	Ag PLATED OVER Ni PLATED	TITLE : VERTICAL SLIDE SWITCH		UNIT : MM	DRWG NO.: XJ-DR-SS42H23-00		
3	BASE	PHENOLIC RESIN	1	BLACK	MODEL: SS-42H23		SCALE: 2:1	DWN.	ZHOUYU	2006-8-18
2	FRAME	STEEL STRIP	1	Ni PLATED	ALL MATERIALS MUST BE COMPLIANT TO ROHS			CHK'D	FANGYING	2006-8-18
1	KNOB	POM	1	BLACK				APPD.	KANGXINAN	2006-8-18
NO.	PART NAME	MATERIAL	Q'TY	FINISHING						